
Technician Question Pool

July 2022 to June 2026

The MORE Project

<http://n2re.org/m-o-r-e-project>

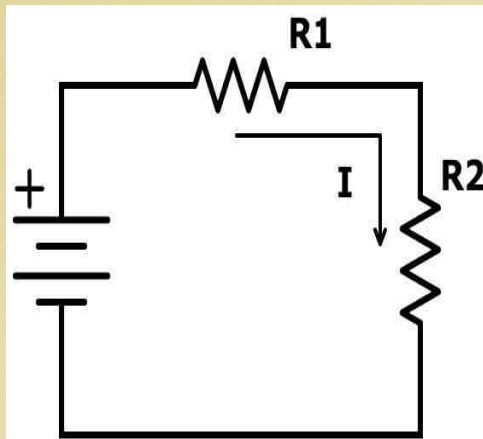


Electrical Principles

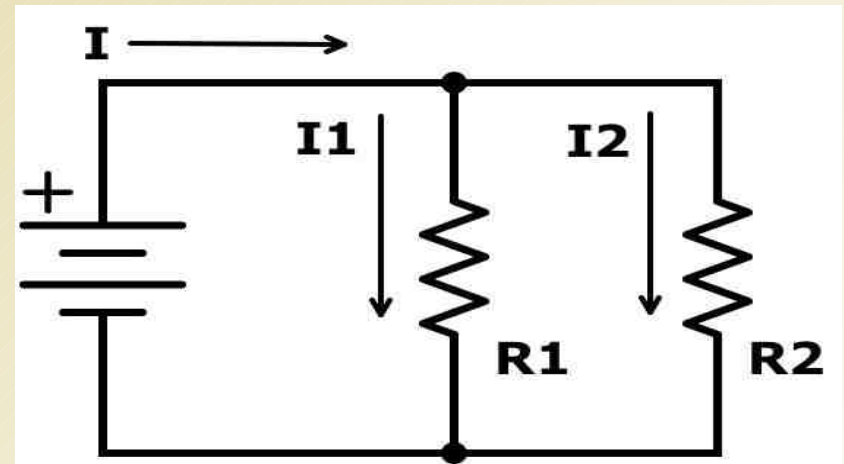
No-Nonsense pages 14 - 15

Series & Parallel Circuits

Resistors in series:



Resistors in parallel:



T5D13

In which type of circuit is DC current the same through all components?

- A. Series
- B. Parallel
- C. Resonant
- D. Branch



EP3 Q1 of 2

FCC Tech 7/22 to 6/26
Series & Parallel Circuits

n2re.org/m-o-r-e-project

T5D13

In which type of circuit is DC current the same through all components?

- A. Series
- B. Parallel
- C. Resonant
- D. Branch



EP3 A1 of 2

FCC Tech 7/22 to 6/26
Series & Parallel Circuits

n2re.org/m-o-r-e-project

T5D14

In which type of circuit is voltage the same across all components?

- A. Series
- B. Parallel
- C. Resonant
- D. Branch



EP3 Q2 of 2

FCC Tech 7/22 to 6/26
Series & Parallel Circuits

n2re.org/m-o-r-e-project

T5D14

In which type of circuit is voltage the same across all components?

- A. Series
- B. Parallel**
- C. Resonant
- D. Branch





A non-profit initiative by the IEEE and ARDC to increase the numbers of youth (12-18) and non-males in Amateur Radio. Participants earn FCC licenses and receive free 2-way radios.

For MORE information: n2re.org/m-o-r-e-project
Dr. Rebecca Mercuri, Grant Administrator, rtmercuri@ieee.org



n2re.org/m-o-r-e-project